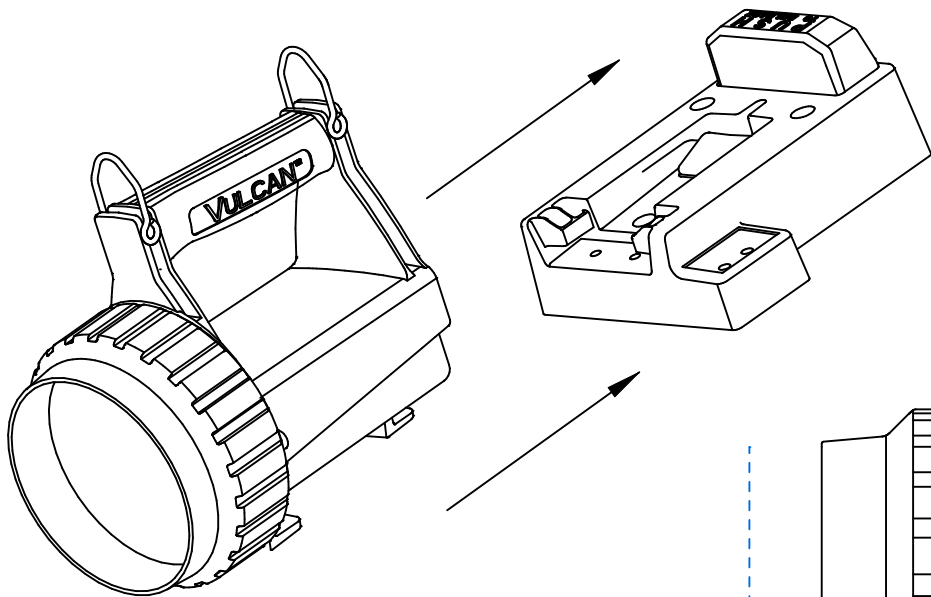
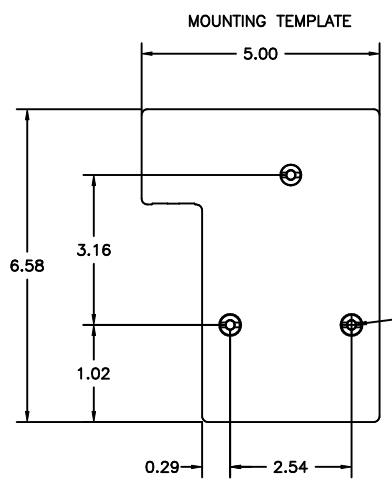
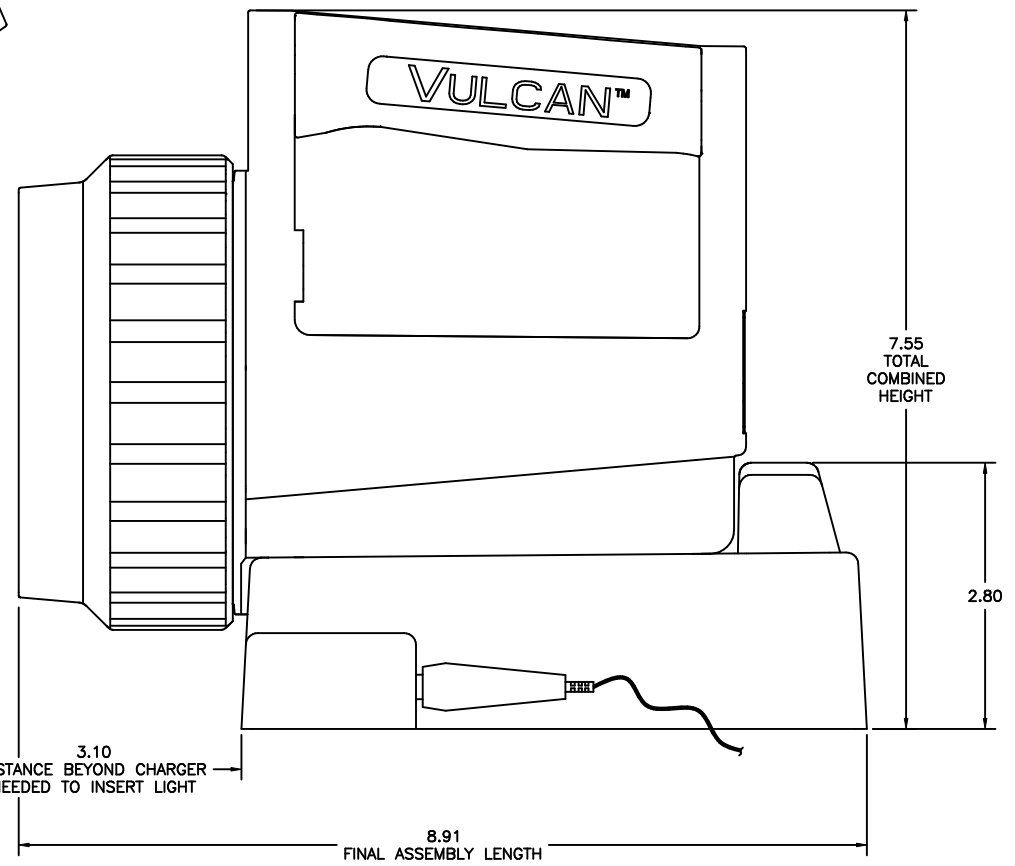


| LTR |  | ZONE |  | REVISIONS     |         |     |     |
|-----|--|------|--|---------------|---------|-----|-----|
|     |  |      |  | DESCRIPTION   | DATE    | BY  | APP |
| A   |  |      |  | TITLE CHANGED | 21JUN05 | JRS |     |

DIRECTION OF TWO CONNECTING PARTS



WHEN CORRECTLY FITTED BOTH LIGHT AND CHARGER WILL CONNECT TO A STRONG FIT AND LED WILL ILLUMINATE



SUGGESTED MOUNTING HOLES:  
3X $\phi$ .125  
(#8X1.5"  
TYPE A SCREWS)

3.10  
DISTANCE BEYOND CHARGER  
NEEDED TO INSERT LIGHT

8.91  
FINAL ASSEMBLY LENGTH

7.55  
TOTAL  
COMBINED  
HEIGHT

2.80

NOTE: THE VULCAN IS SUITABLE TO BE MOUNTED IN ANY POSITION, IN ACCORDANCE WITH NFPA STANDARD 1901; 1999 EL.

|  |          |         |  |         |
|--|----------|---------|--|---------|
| UNLESS OTHERWISE SPECIFIED:<br>DIMENSIONS ARE IN INCHES<br>TOLERANCES:<br>DECIMAL .XXX ±.005<br>.XX ±.010<br>.X ±.020<br>FRACTION ±.030<br>ANGLE ±0.5°<br>THREADS UN CLASS 2<br>DO NOT SCALE DWG | DRAWN    | DATE    | <b>STREAMLIGHT®</b><br>30 EAGLEVILLE ROAD - EAGLEVILLE, PA 19403 |         |
|  | CHECKED  | 19JUL04 |  |         |
|  | APPROVED |         | TITLE<br>VULCAN MOUNTING GUIDE                                   |         |
|  | PART NO. | FINISH  | SCALE  | USED ON |